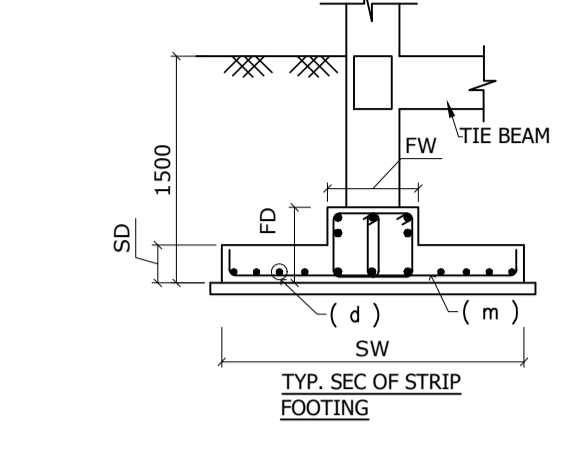


SCHEDULE OF SLAB OF COMBINED FOOTINGS

FOOTING MKD	WIDTH OF FOOTING (SW)	DEPTH OF FOOTING SLAB (SD)	REINFORCEMENT & SPACING
CF-01	2700 mm	300 mm	main- #10@125C/C dist- #10@175C/C
CF-02	3600 mm	400 mm	main- #10@100C/C dist- #10@150C/C



SCHEDULE OF FOUNDATION BEAM FOR STRIP & COMBINED FOUNDATION

BEAM MKD	WIDTH x DEPTH (FWxSD)	AT	ALL THROUGH REINF.	EXTRA REINF. AT SUPPORT	EXTRA REINF. AT MID SPAN	STIRRUPS AT SUPPORT	STIRRUPS AT MID SPAN
SBM-01	600mm x 600mm	TOP	5-#16	(--)	(--)	4L-#10 @200C/C	4L-#10 @200C/C
SBM-02, SBM-03B	600mm x 600mm	TOP	5-#16	(--)	(--)	4L-#10 @200C/C	4L-#10 @200C/C
SBM-03A	600mm x 600mm	TOP	5-#16	(--)	(--)	4L-#10 @200C/C	4L-#10 @200C/C

SCHEDULE OF FOR STAIR

LEVEL & FLOORS	THICKNESS OF WAIST SLAB	REINFORCEMENT & SPACING
ALL FLOORS	150 mm	main- #12@100C/C dist- #8@200C/C

SCHEDULE OF FLOOR / ROOF BEAM

BEAM MKD	WIDTH x DEPTH (FWxSD)	ALL THROUGH REINF.	EXTRA REINF. AT SUPPORT	EXTRA REINF. AT MID SPAN	STIRRUPS AT SUPPORT	STIRRUPS AT MID SPAN
BM-01	250mm x 350mm	TOP 2-#16	1-#16	(--)	2L-#8 @100C/C	2L-#8 @200C/C
BM-02	250mm x 350mm	TOP 2-#16	1-#16	(--)	2L-#8 @100C/C	2L-#8 @200C/C
BM-03	250mm x 350mm	TOP 2-#16	1-#16	(--)	2L-#8 @100C/C	2L-#8 @200C/C
BM-04	250mm x 200mm	TOP 3-#12	(--)	(--)	2L-#8 @75C/C	2L-#8 @75C/C
BM-05	250mm x 250mm	TOP 2-#12	(--)	(--)	2L-#8 @100C/C	2L-#8 @100C/C
BM-06	250mm x 350mm	TOP 2-#16	(--)	2-#16	2L-#8 @100C/C	2L-#8 @200C/C
BM-07	250mm x 450mm	TOP 2-#16	1-#16	(--)	2L-#8 @100C/C	2L-#8 @200C/C

SCHEDULE OF BOTTOM SLAB REINF.

PANEL OVER ALL BAR MARKED TH. (mm)	DIAMETER OF BAR & SPACING
(X)	#8@150C/C
(Y)	#8@150C/C
(Z)	#8@200C/C
(A)	#8@200C/C

SCHEDULE OF TOP SLAB REINF.

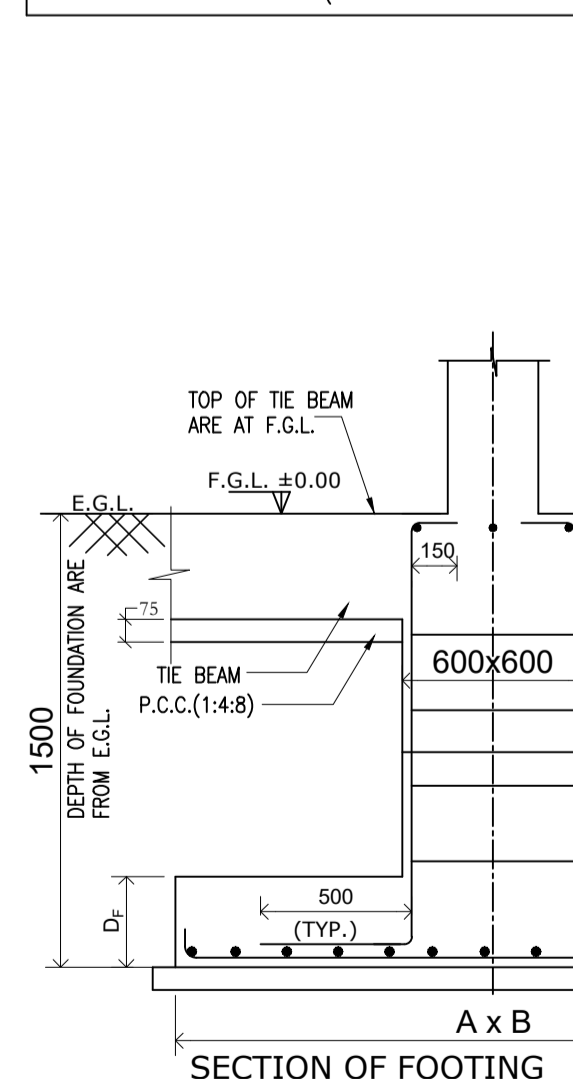
BAR MKD	DIAMETER OF BAR & SPACING	BAR MKD	DIAMETER OF BAR & SPACING
(A)	#8@100C/C		

NOTES:-
 1. ALL OTHERS "UNMARKED" TOP REINF. ACROSS THE SUPPORT WILL BE #8@175C/C OVER INTERMEDIATE SUPPORT AND #8@200C/C FOR END SUPPORT.
 2. TOP BARS WILL BE EXTENDED FROM C/L OF SUPPORT UP TO A DISTANCE EQUAL TO 0.3 x SHORTER SPAN ON EITHER SIDE / ONE SIDE OF SUPPORT AS APPLICABLE.
 3. DISTRIBUTION BARS ARE #8 @200C/C

SCHEDULE OF THE BEAMS

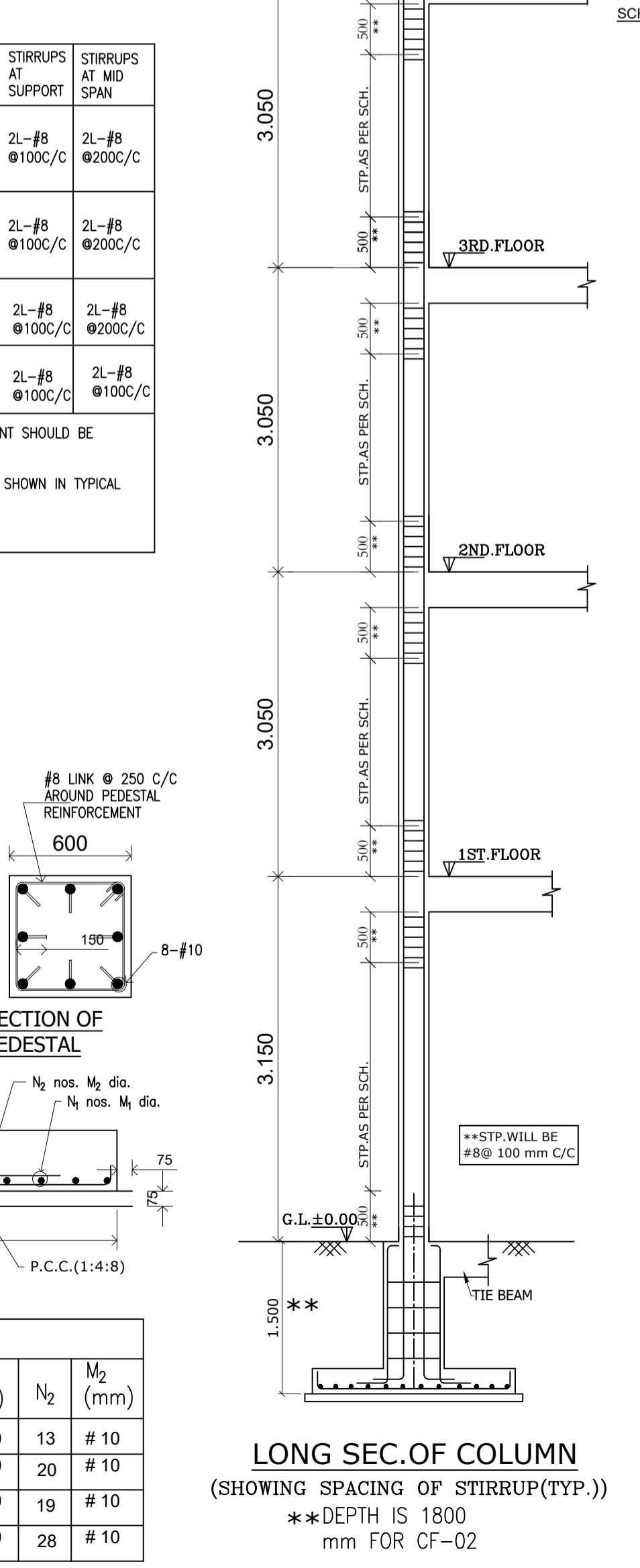
BEAM MKD	WIDTH x DEPTH (FWxSD)	ALL THROUGH REINF.	EXTRA REINF. AT SUPPORT	EXTRA REINF. AT MID SPAN	STIRRUPS AT SUPPORT	STIRRUPS AT MID SPAN
TB-01	250 x 350	TOP 2-#16	2-#12 (SL)	(--)	2L-#8 @100C/C	2L-#8 @200C/C
TB-02	250 x 350	TOP 2-#16	2-#16 (SL)	(--)	2L-#8 @100C/C	2L-#8 @200C/C
TB-03	250 x 350	TOP 2-#16	(--)	(--)	2L-#8 @100C/C	2L-#8 @200C/C
TB-04	250 x 350	TOP 2-#16	(--)	(--)	2L-#8 @100C/C	2L-#8 @200C/C

1. FOR COMMON SUPPORT LOCATION HIGHER REINFORCEMENT SHOULD BE FOLLOWED, IF DIFFERENT AS PER BEAM SCHEDULE.
 2. CURTAILMENT DETAILS BEAM REINFORCEMENT WILL BE AS SHOWN IN TYPICAL DRAWING.
 3. "SL" -> SECOND LAYER (TOP or BOT AS APPLICABLE)



SCHEDULE OF ISOLATED FOOTING

FOOTING MARKED	A x B (mm)	D _f (mm)	N ₁	M ₁ (mm)	N ₂	M ₂ (mm)
F1	2100 x 2100	300	13	# 10	13	# 10
F2	2400 x 2400	300	20	# 10	20	# 10
F3	2700 x 2700	400	19	# 10	19	# 10
F4	3000 x 3000	400	28	# 10	28	# 10



- NOTES :-**
- THIS DRAWING SHOULD BE READ IN CONJUNCTION WITH RELEVANT ARCHITECTURAL DRAWINGS.
 - ALL DIMENSIONS ARE IN "mm" AND ALL LEVELS ARE IN "m" UNLESS OTHERWISE MENTIONED.
 - GRADE OF CONCRETE FOR R.C.C. IS M25 TO IS:456 -2000.
 - COVER TO MAIN REINFORCEMENT :- (a) FOUNDATION SLAB / BEAM - 50mm., (b) TIE BEAM - 50mm., (c) COL. - 40mm. (d) FLOOR BEAM - 30mm. & (e) FLOOR SLAB - 20mm.
 - THE REINFORCEMENT SHALL BE OF HIGH YIELD STRENGTH DEFORMED BARS OF GRADE Fe 500D CONFORMING TO IS:1786-2008
 - DEVELOPMENT LENGTH (L_d) OF REINFORCEMENT SHALL BE 50 TIMES THE BAR DIAMETER.
 - SPACING OF STIRRUP / HOOPS SHALL BE PROVIDED AS PER IS: 13920 - 2016 FOR DUCTILE DETAILING REQUIREMENT.
 - NOT MORE THAN 50% OF THE BARS SHALL BE SPLICED AT ONE SECTION.
 - FOUNDATION HAS BEEN DESIGNED FOR G+3 R.C.C. FRAMED STRUCTURE.
 - SUITABLE FOUNDATION IS TO BE PROVIDED UNDER PARTITION WALLS THOSE ARE NOT LOCATED OVER THE BEAM.
 - FOR ANY DEVIATION IN DIMENSION WITH THE ARCHITECTURAL DRAWING PLEASE CONTACT.

SCHEDULE OF COLUMN

COLUMN MARKED	SECTION & REINFORCEMENT
4, 17, 18, 20, 22, 24	4-#16 4-#12 #8@200C/C
1, 7, 27, 30, 31	8-#16 #8@200C/C
2, 5, 15, 21, 28, 32	4-#20 4-#16 #8@200C/C
8, 11, 14	4-#20 4-#16 #8@200C/C
3, 16, 19, 23, 26, 29	8-#20 #8@200C/C
9, 12, 25	8-#20 #8@200C/C
6, 10, 13	10-#20 #8@200C/C

SCHEDULE OF LIFT PIT SLAB & WALL REINFORCEMENT

DESCRIPTION	DEPTH OF SLAB or TH. OF WALL	REINFORCEMENT
LIFT PIT SLAB	200 mm	#10@200C/C (BOTH WAYS & BOTH FACE)
LIFT WALL BELOW PL	250 mm	#10@150C/C (VERTICAL B/F) & #8@200C/C (HORIZONTAL B/F)
LIFT WALL ABOVE PL	150 mm	#10@200C/C (VERTICAL B/F) & #8@200C/C (HORIZONTAL B/F)

REVISIONS

REV.	INCORPORATIONS / MODIFICATIONS	DATE	SIGNATURE

STRUCTURAL PLAN OF PROPOSED G+IV STORIED BUILDING OF SRI ARNAB CHATTERJEE AT MOUZA - GORKHARA, J.L NO.- 22, R.S & L.R DAG NO.- 1085, R.S KHATIAN NO.- 356, L.R KHATIAN NO.- 6602, HOLDING NO.- 45 GORKHARA - F. WARD NO.- 11 UNDER RAJPUR - MUNICIPALITY, P.S - SONA 24 PARGANAS, KOL.- 7001

NAME OF PROJECT: _____

PROJECT DEALT BY: _____

SCALE: 1:100, 1:50, 1:25.

DRAWING NO.: _____